



### Features

- Reliable split-phase capacitor motor construction
- Precision ball bearing system provides:
  - Longer life
  - Higher temperature extremes
  - Lower noise over time
  - Maximum shock and vibration resistance
- Rugged die-cast aluminum housing for maximum heat dissipation

### Accessories:

- Finger guards
- Power cords

### General Specifications

**Frame:** Die-cast aluminum painted black for moisture and corrosion resistance

**Impeller:** Reinforced polybutylene plastic (UL94V-0 rating)

**Bearings:** Precision, life-lubricated ball bearings

**Insulation:** Class A integral ground system rated @ 248°F (120°C)

**Weight:** 26 ozs. (750 grams)

**Operating Temperature Range:** 14° to 158°F (-10° to 70°C)

**Insulation Resistance:** 100 megohms minimum @ 500 VDC

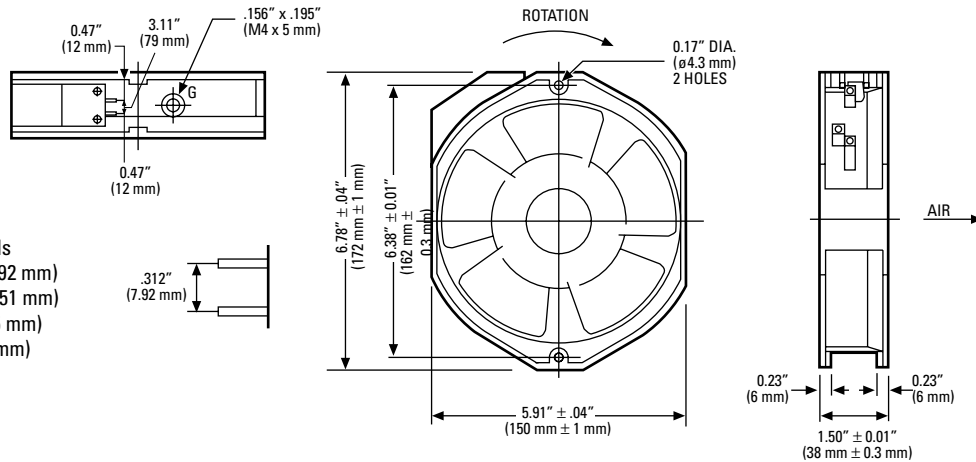
**Dielectric Strength:** 1500 VAC for 3 seconds

**Safety Protection:** Impedance protected; thermally protected

**Life Expectancy:** 50,000 hours minimum @ 77°F (25°C)

### Terminals

2 Solder Terminals  
Centers: .312" (7.92 mm)  
Thickness: .02" (.51 mm)  
Width: .120" (3.05 mm)  
Length: .31" (7.8 mm)

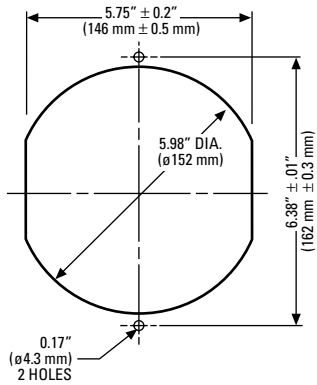


Note: 230 volt fans have tapped holes

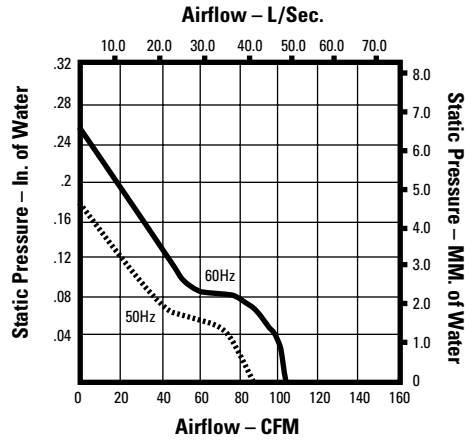
Globe Motors Part Number	Nominal Voltage VAC	Frequency Hz	Watts	Line Amps	RPM	Acoustic Noise dBA	Airflow (Min.)	
							CFM	Liters per Second
A59-B15A-15T1-000	115	50 / 60	16.0 / 18.0	0.160 / 0.190	1400 / 1650	35 / 38	85 / 102	40.1 / 48.1
A59-B15A-15T2-000	115	50 / 60	21.0 / 22.0	0.200 / 0.210	2200 / 2600	46 / 50	141 / 166	66.5 / 78.4
A59-B15A-15T3-000	115	50 / 60	35.0 / 32.0	0.380 / 0.360	2700 / 3200	52 / 56	177 / 212	83.5 / 100.0
A59-B15A-23T1-000	230	50 / 60	16.0 / 18.0	0.090 / 0.110	1400 / 1650	35 / 38	85 / 102	40.1 / 48.1
A59-B15A-23T2-000	230	50 / 60	23.0 / 26.0	0.120 / 0.140	2200 / 2600	46 / 50	141 / 166	66.5 / 78.4
A59-B15A-23T3-000	230	50 / 60	35.0 / 35.0	0.180 / 0.190	2700 / 3200	52 / 56	177 / 212	83.5 / 100.0

Note capacitor values: 115 VAC Series — 3.0µF @ 250 VAC; 230 VAC Series — 1.0µF @ 350 VAC  
Capacitor is built in

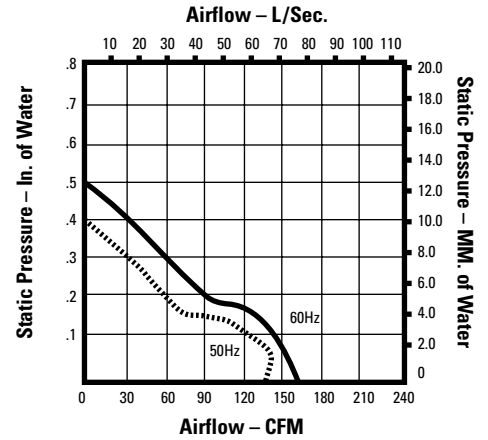
## Installation Guide



## Performance at Sea Level



A59-B15A-15T1-000



A59-B15A-15T2-000

## Approvals



UL File No.  
E105397



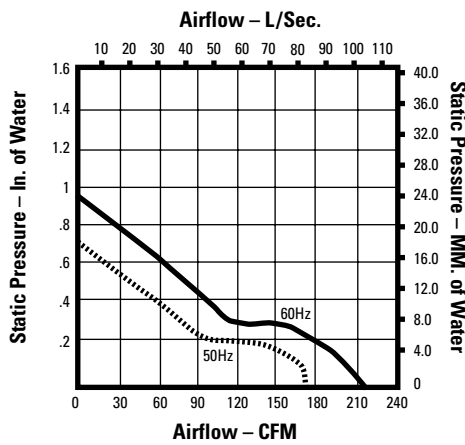
CSA File No.  
72877



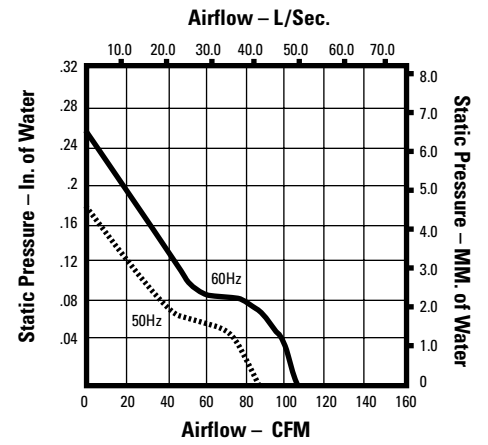
VDE File No.  
17074-2611-0703



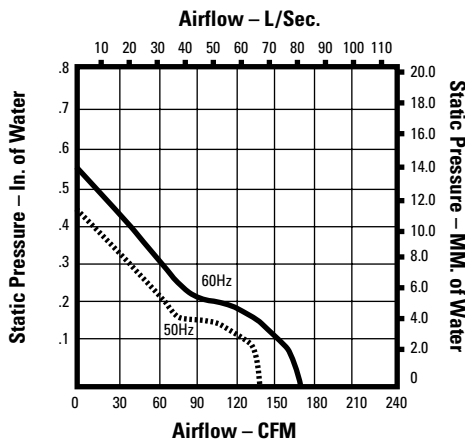
## NOTES:



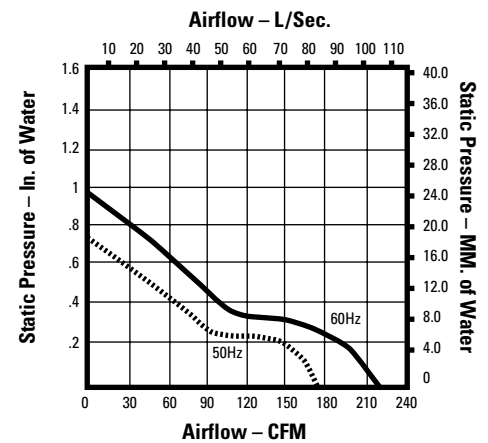
A59-B15A-15T3-000



A59-B15A-23T1-000



A59-B15A-23T2-000



A59-B15A-23T3-000

All operating specifications measured at nominal operating voltage, free air at sea level